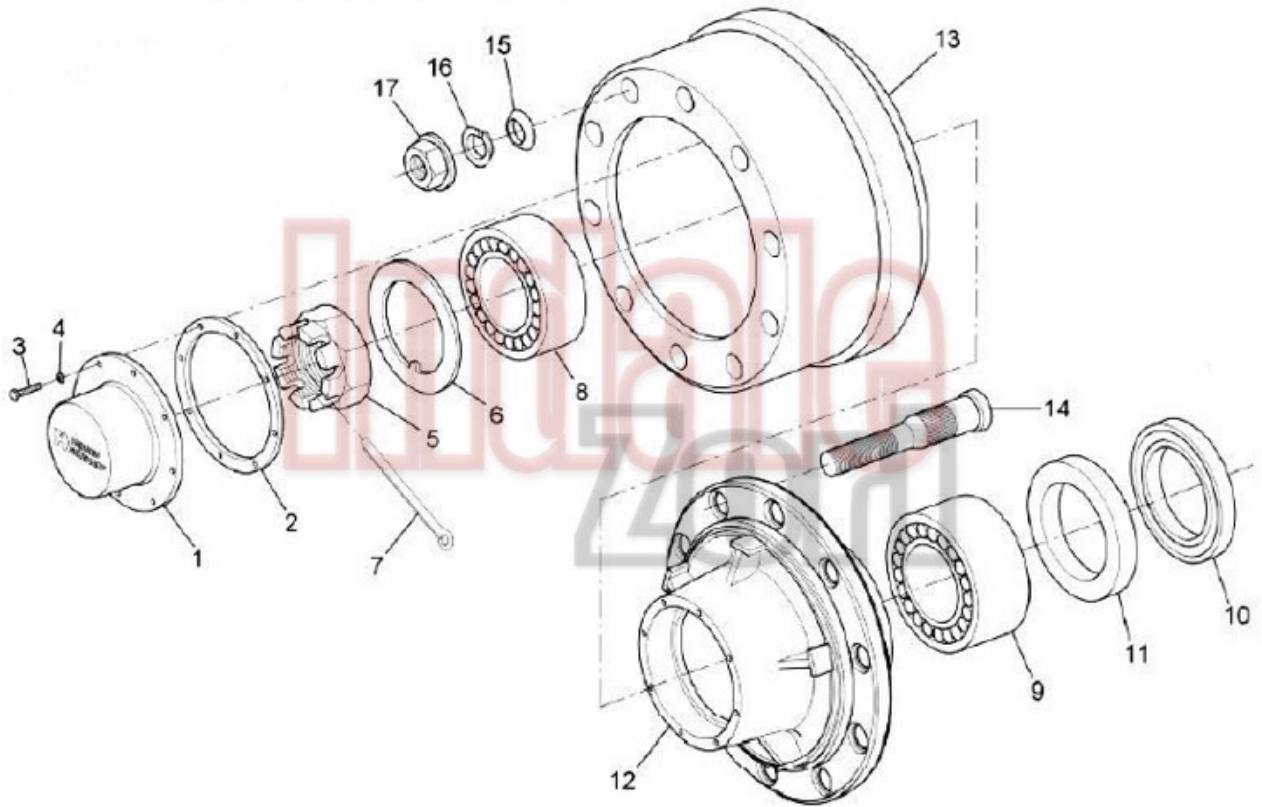


**propar 11000 / 15000 outboard mounted
brake drums**



1. Hub Cap 8 Hole	11. Collar	14. Wheelstud
2. Gasket	- Propar 11 000	M22 (HFT Std)
3. Setscrew M6 x 16	12. Hub -	15. Inner Washer -
4. Spring Washer 6 Diam.	Propar 11000 10 Stud	M22
5. Axle Nut	M22 for 420 Brake	M30
6. Axle Washer	Std Stud Centring	
7. Split Pin	Opt. Hub Centring	16. Outer Washer -
8. Outer Bearing	Opt. Oil Filled	M22 Spring
HM518445/410	M22 for 410 Brake	M30 Spherical
9. Inner Bearing	13. Brake Drum	17. Wheel Nut -
Propar 1100	420 x 180 - 10 Stud	M22 - M30
HM518554/410	246 0/All Height	
Propar 15000 -	267 0/All Height	
71425/71750	420 x 180 10 Stud M30	
10. Oil Seal	420 x 130 10 Stud M22	
- Propar 11000	410 X 180 10 Stud M22	

▲▲ HUB / DRUM ASSEMBLIES ▲▲

